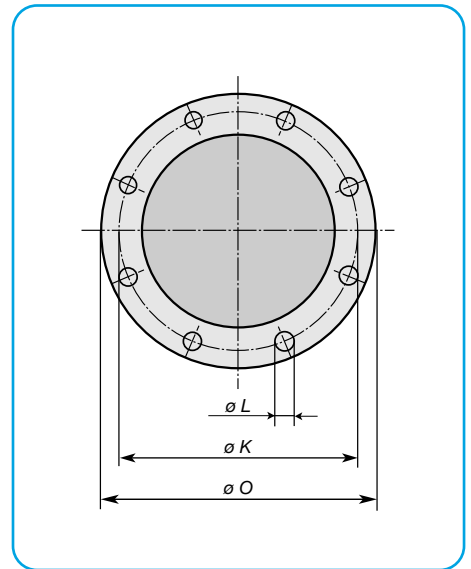
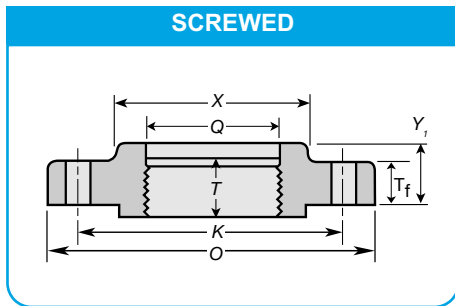
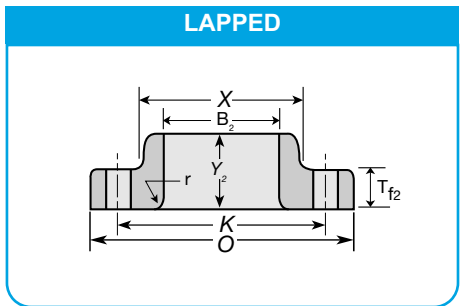
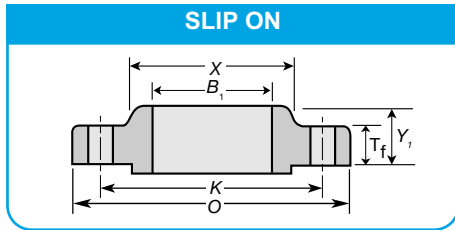
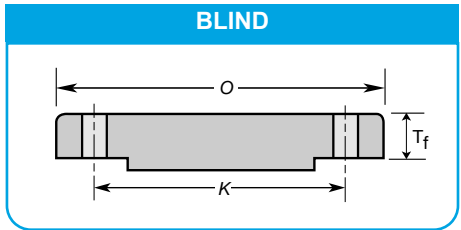
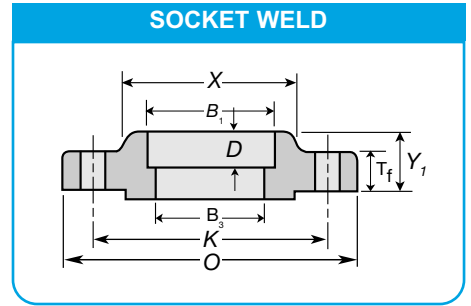
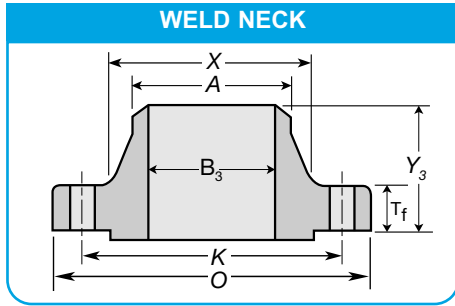


ASME B16.5 : 2009 CLASS 900 FLANGES



+44 (0) 1384 401080



Class 900 (Use Class 1500 dimensions for 1/2" to 2.1/2" nb)

Nominal Pipe Size	O	Tf	X	A	Length			T	Bore			Q	r	D	Drilling L K				
					Y1	Y2	Y3		B1	B2	B3				No. of Bolts	Dia. of Bolts	Dia. of Bolt Hole	Dia. of Bolt Circle	
in.	mm	mm	mm	mm	mm	mm	mm	mm	mm	mm	mm	mm	mm	mm	in.	in.	mm	mm	
3	80	240	38.1	127	88.9	54	54	102	42	90.7	91.4	Note 1	92.2	10	.	8	7/8	1	190.5
4	100	290	44.5	159	114.3	70	70	114	48	116.1	116.8	Note 1	117.6	11	.	8	1.1/8	1.1/4	235.0
5	125	350	50.8	190	141.3	79	79	127	54	143.8	144.4	Note 1	144.4	11	.	8	1.1/4	1.3/8	279.4
6	150	380	55.6	235	168.3	86	86	140	58	170.7	171.4	Note 1	171.4	13	.	12	1.1/8	1.1/4	317.5
8	200	470	63.5	298	219.1	102	114	162	64	221.5	222.2	Note 1	222.2	13	.	12	1.3/8	1.1/2	393.7
10	250	545	69.9	368	273.0	108	127	184	72	276.2	277.4	Note 1	276.2	13	.	16	1.3/8	1.1/2	469.9
12	300	610	79.4	419	323.8	117	143	200	77	327.0	328.2	Note 1	328.6	13	.	20	1.3/8	1.1/2	533.4
14	350	640	85.8	451	355.6	130	156	213	83	359.2	360.2	Note 1	360.4	13	.	20	1.1/2	1.5/8	558.8
16	400	705	88.9	508	406.4	133	165	216	86	410.5	411.2	Note 1	411.2	13	.	20	1.5/8	1.3/4	616.0
18	450	785	101.6	565	457.0	152	190	229	89	461.8	462.3	Note 1	462.0	13	.	20	1.7/8	2	685.8
20	500	855	108.0	622	508.0	159	210	248	93	513.1	514.4	Note 1	512.8	13	.	20	2	2.1/8	749.3
24	600	1040	139.7	749	610.0	203	267	292	102	616.0	616.0	Note 1	614.4	13	.	20	2.1/2	2.5/8	901.7